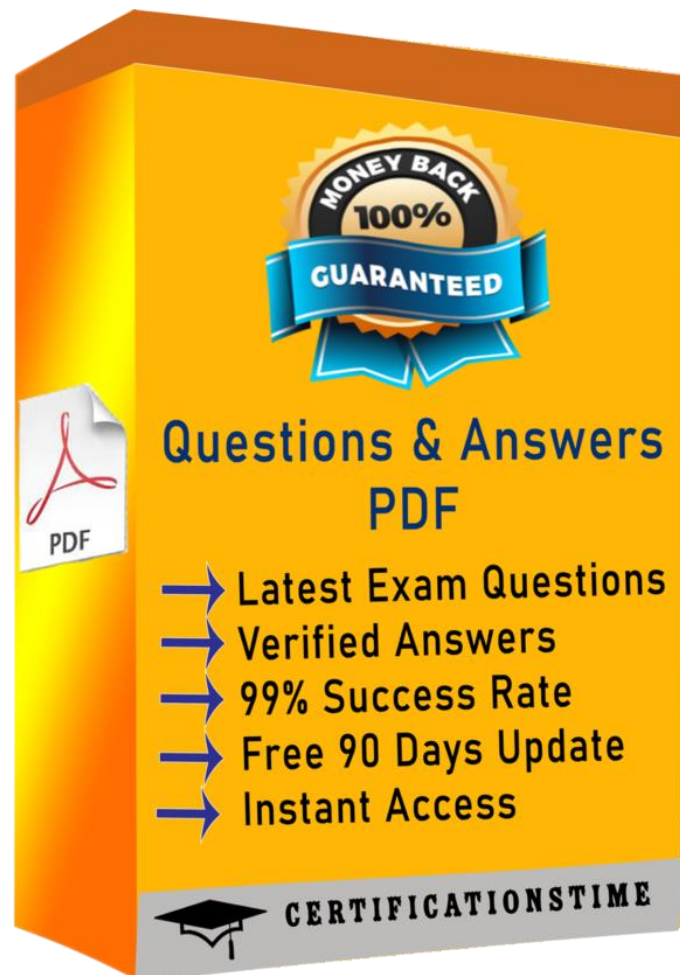


Cisco
300-620
**Implementing Cisco Application Centric
Infrastructure**



QUESTION & ANSWERS

Cisco

300-620 Exam

**Cisco Implementing Cisco Application Centric Infrastructure
Exam**

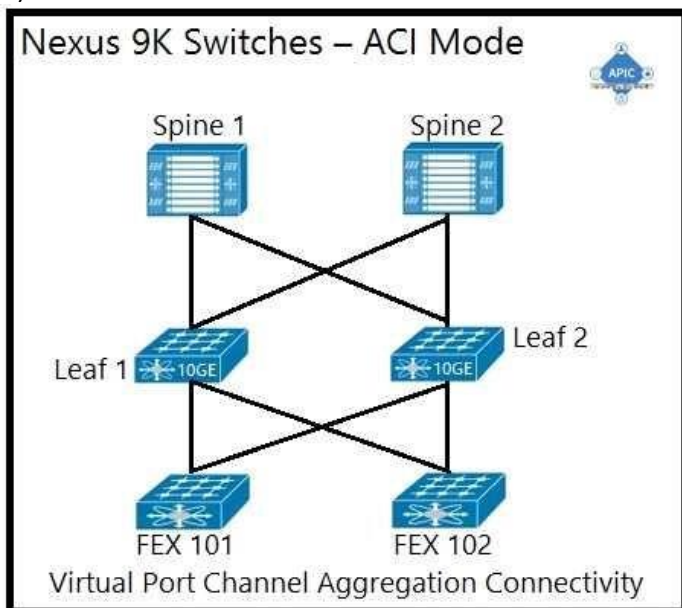
**Questions & Answers
Demo**

Version: 7.0

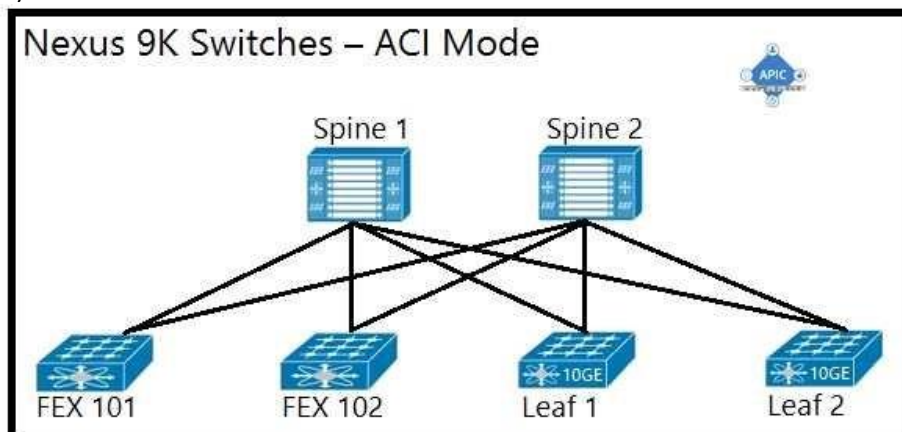
Question: 1

An engineer is implementing a Cisco ACI data center network that includes Cisco Nexus 2000 Series 10G fabric extenders. Which physical topology is supported?

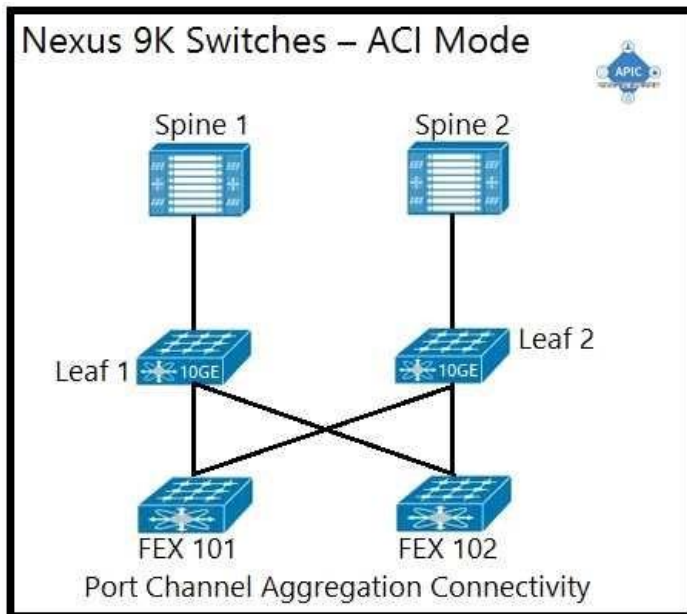
A)



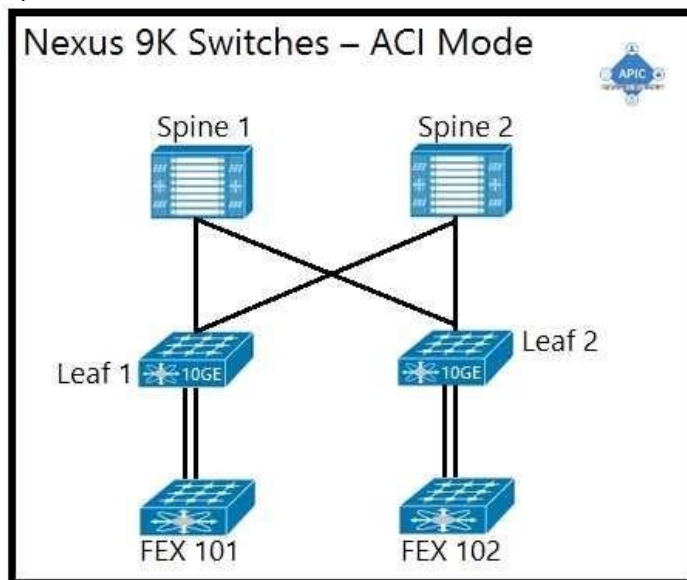
B)



C)



D)



- A. Option A
- B. Option B
- C. Option C
- D. Option D

Answer: D

Question: 2

An ACI administrator notices a change in the behavior of the fabric. Which action must be taken to determine if a human intervention introduced the change?

- A. Inspect event records in the APIC UI to see all actions performed by users.
- B. Inspect `/var/log/audit_messages` on the APIC to see a record of all user actions.
- C. Inspect audit logs in the APIC UI to see all user events.
- D. Inspect the output of `show command history` in the APIC CLI.

Answer: C

Question: 3

An engineer is creating a configuration import policy that must terminate if the imported configuration is incompatible with the existing system. Which import mode achieves this result?

- A. merge
- B. atomic
- C. best effort
- D. replace

Answer: B

Reference:

[https://www.cisco.com/c/en/us/td/docs/switches/datacenter/aci/apic/sw/4-x/aci-fundamentals/](https://www.cisco.com/c/en/us/td/docs/switches/datacenter/aci/apic/sw/4-x/aci-fundamentals/Cisco-ACI-Fundamentals-401/Cisco-ACI-Fundamentals-401_chapter_01011.html) Cisco-ACI-Fundamentals-401/Cisco-ACI-Fundamentals-401_chapter_01011.html

Question: 4

DRAG DROP

Drag and drop the Cisco ACI filter entry options from the left onto the correct categories on the right indicating what are required or optional parameters.

| | |
|------------------|---------------------|
| Name | Optional Parameters |
| ARP Flag | |
| Ether Type | |
| IP Protocol | |
| Source Port From | |
| | Required Parameters |
| | |
| | |

Answer:

| | |
|------------------|---------------------|
| Name | Optional Parameters |
| ARP Flag | |
| Ether Type | |
| IP Protocol | Required Parameters |
| Source Port From | |
| | |
| | Optional Parameters |
| | ARP Flag |
| | IP Protocol |
| | Source Port From |
| | Required Parameters |
| | Name |
| | Ether Type |

Reference:

https://www.cisco.com/c/en/us/td/docs/switches/datacenter/aci/apic/sw/1-x/Operating_ACI/guide/b_Cisco_Operating_ACI/b_Cisco_Operating_ACI_chapter_01000.html

Question: 5

Which type of policy configures the suppression of faults that are generated from a port being down?

- A. fault lifecycle assignment
- B. event lifecycle assignment

- C. fault severity assignment
- D. event severity assignment

Answer: C

Reference:

https://www.cisco.com/c/en/us/td/docs/switches/datacenter/aci/apic/sw/all/faults/guide/b_APIC_Faults_Errors/b_IFC_Faults_Errors_chapter_01.html