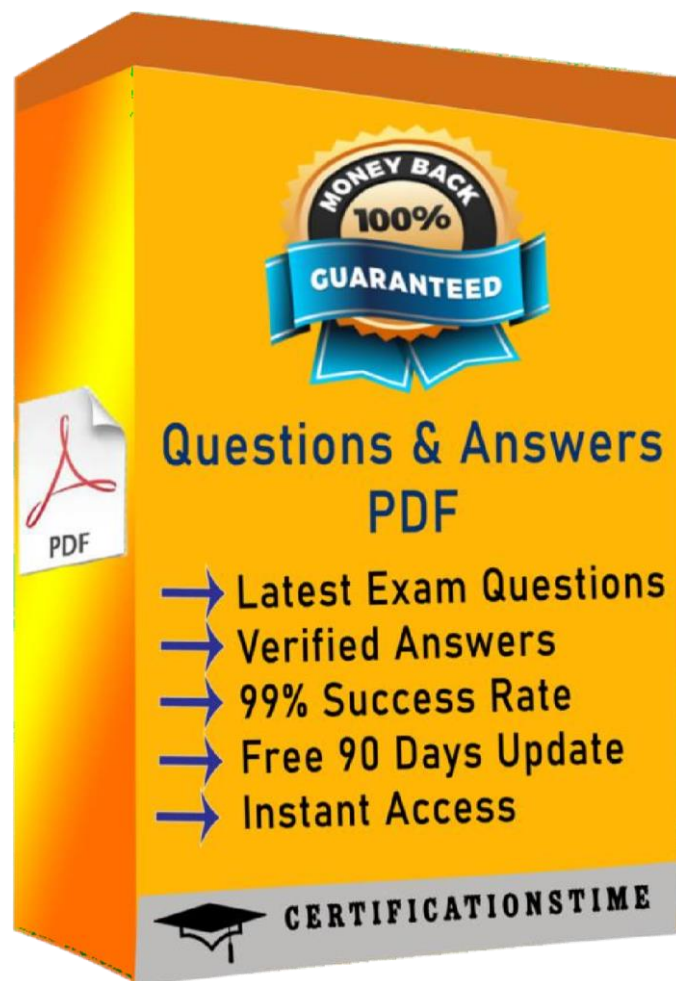


VMware
2V0-622D
VMware Certified Professional 6.5 - Data Center
Virtualiz
Delta



QUESTION & ANSWERS

Version: 10.0

Question: 1

What are two reasons why a datastore in a Storage DRS cluster cannot enter maintenance mode? (Choose two.)

- A. Storage latency is too high to allow Storage DRS to migrate Storage VMs.
- B. Storage DRS is configured for a VMFS3 datastore.
- C. Storage DRS is disabled on the virtual disk.
- D. Rules prevent Storage DRS from making migration recommendations.

Answer: C,D

Question: 2

A vSphere content library administrator is attempting to republish the content library, but the option is grayed out as shown in the Exhibit.



Which statement identifies the reason for not being able to republish?

- A. The content library is imported for sync over HTTP.
- B. A synchronization operation is in progress with this content library.
- C. There are active subscriptions to this content library.
- D. Underlying storage for this content library is not accessible.

Answer: D

Since the underlying storage is not accessible for this content library, the option will be grayed out because the storage is unavailable.

Question: 3

What two methods are used to configure VMware vSphere Storage I/O Controller shares and limits? (Choose two.)

- A. Assign shares and limits to VM virtual disks.
- B. Assign shares and limits to datastores.
- C. Assign shares and limits to Storage DRS clusters.
- D. Assign shares and limits using VM storage policies.

Answer: A,D

Question: 4

Assuming a mirrored (RAID-1) object configuration, how many hosts must contribute storage in a two-stretched VMware vSAN cluster to satisfy the "Number of failures to tolerate" policy option? "o" is the desired "Number of failures to tolerate" value for all options.

- A. 2o+2
- B. 2o
- C. 2o+1
- D. 3o

Answer: C

If fault domains are configured, 2o+1 fault domains with hosts contributing capacity are required. A host, which is only part of any fault domain is considered its two single-host fault domain

Question: 5

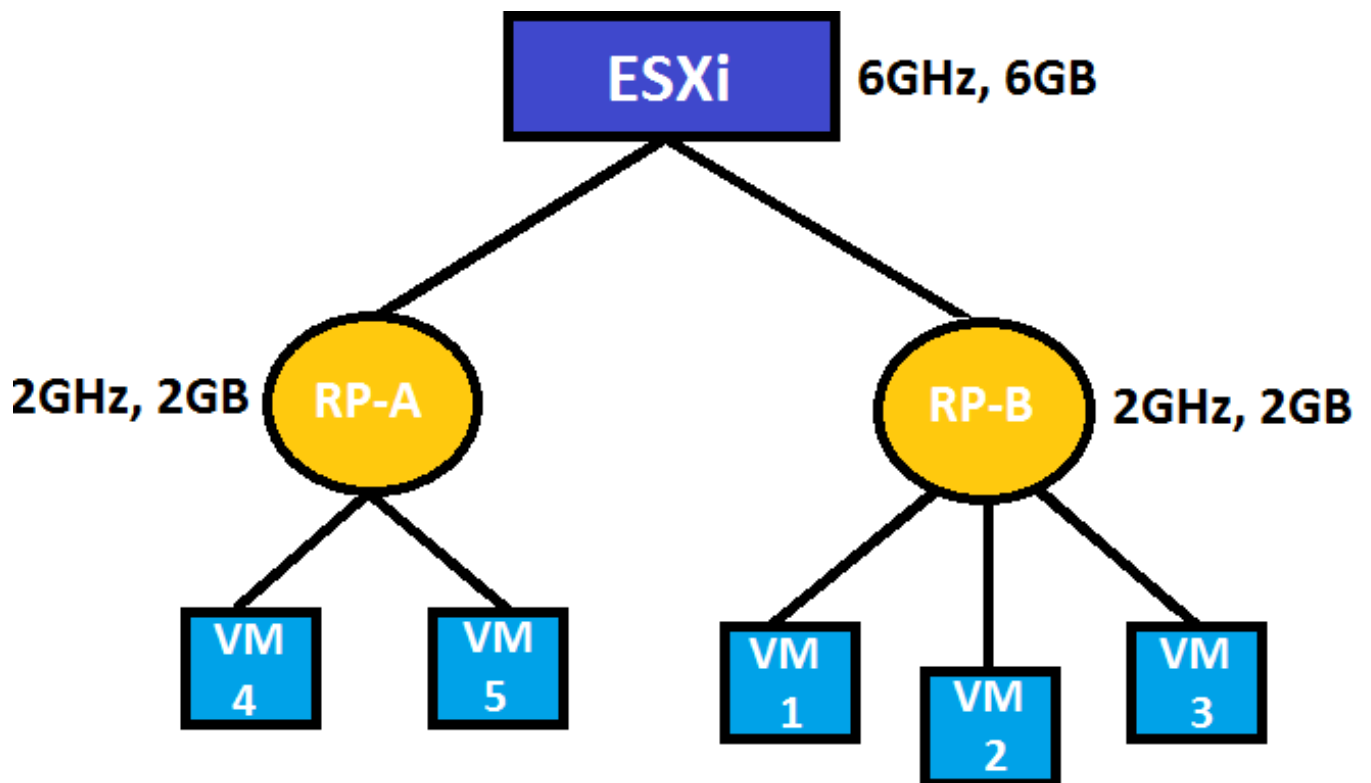
An administrator must change the statistics level for short-term performance monitoring and wants to collect metrics for all counters, excluding minimum and maximum rollup values. What would be the statistics level?

- A. Level 3
- B. Level 1
- C. Level 2
- D. Level 4

Answer: A

Question: 6

In a vSphere environment, two resource pools are created as shown in the Exhibit.



Each VM is configured with 1 GB of memory. When the administrator tried to power on VM3, the operation failed.

What action to the resource pool settings will allow VM3 to power on successfully?

- A. Deselect Expandable Memory Reservation
- B. Increase Memory Reservation
- C. Deselect Expandable CPU Reservation
- D. Increase the CPU Reservation

Answer: B

VM3 does not have sufficient memory to power. So in resource pool settings, increase CPU reservation of VM3 and it will power up.

Question: 7

ESXi 6.5 introduces VMFS6, which supports both 512e and 512o devices.

What three configurations are supported when using these devices? (Choose three.)

- A. Hosts with both 512e and 512o devices.
- B. Storage vMotion between both 512e and 512o devices.
- C. Datastore Extents spanned between both 512e and 512o devices.
- D. Storage DRS clusters contain only both 512e and 512o devices.

Answer: A,B,D

VMFS can host both 512e and 512b devices. It also supports storage vMotion between 512e and 512b devices. In addition to that DRS clusters can contain both 512e and 512b devices at the same time.

Question: 8

Which network is used by vSphere HA when VMware vSAN is enabled?

- A. Management network
- B. vSphere Replication network
- C. vMotion network
- D. vSAN network

Answer: B

Question: 9

A vSphere Administrator observes that the Primary VM configured with Fault Tolerance is executing slowly. After further investigation, it is determined that the Secondary VM is on an overcommitted ESX host.

What two methods will correct the problem? (Choose two.)

- A. Use Storage vMotion to migrate the Secondary VM to another datastore.
- B. Use vMotion to migrate the Secondary VM to a different ESX host.
- C. Configure a CPU limit on the Primary VM which will also apply to the Secondary VM.
- D. Turn off and turn on FT in order to recreate the Secondary VM on a different datastore.

Answer: B,D

Question: 10

Which two features require the use of Host Profiles? (Choose two.)

- A. Host Customizations
- B. shared storage
- C. Auto Deploy
- D. vRealize Suite

Answer: A,C
